

LTE 5G L-Band **S65-5366-731**



Description

This tri-band blade antenna was designed for WiMAX 802.16, quad GSM and Wireless Local Area Network (WLAN) communications utilizing IEEE 802.11a/b/g/h wireless broadband standards.

The **S65-5366-731** antenna provides world-wide interoperability for data loading electronic flight bags, cargo loading manifests, HUMS (Health and Usage Monitoring System) offloads, updating in-flight entertainment systems and other data transfer functions.

The antenna unit is hermetically sealed and DC grounded.

Federal & Military Certifications:

DO-160E/G and MIL-HDBK-5400.

Specifications

Electrical

Frequency	700-2650 MHz 3300-4200 MHz 4800-6200 MHz
VSWR	700-2650 MHz: $\leq 2.5:1$ 1030-1090 MHz: $\leq 1.5:1$ 3300-3400 MHz: $\leq 3.0:1$ 3400-4000 MHz: $\leq 2.5:1$ 4000-4200 MHz: $\leq 3.0:1$ 4800-6100 MHz: $\leq 2.5:1$ 6100-6200 MHz: $\leq 3.0:1$

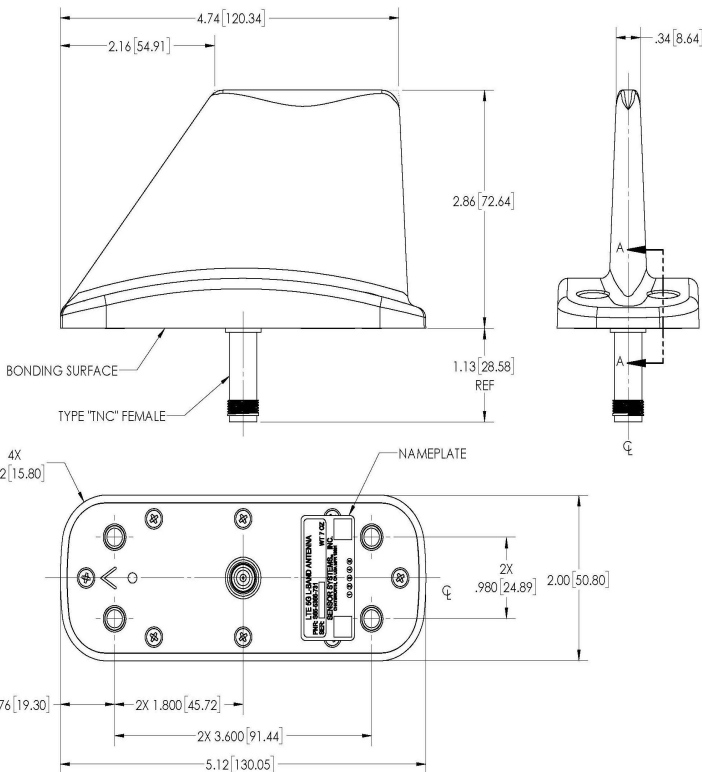
Polarization	Vertical
Pattern	Omnidirectional
Impedance	50 Ω
Power	1 Watt CW

Mechanical

Weight	6.0 oz. [170.10 (g)]
Height	2.86 in. [72.64 mm]
Length	5.12 in. [130.05 mm]
Width	2.00 in. [50.80 mm]
Material	6061-T6 Aluminum Alloy / Thermoset Plastic
Finish	Skydrol Resistant Polyurethane Enamel
Connector	TNC Female

Environmental

Temperature (Operating)	-55°C (-67°F) to +70°C (+158°F)
Altitude	70,000 ft.



Please Note: For REFERENCE ONLY
Contact Sensor Systems for latest drawing



A HEICO COMPANY

Website: www.sensorantennas.com

Phone: 818-341-5366